

General

This instruction sheet covers the installation of the retrofit kit PN 4391-039. This kit was designed to improve the support for the line section circuit board and cover of earlier models. This kit replaces two of the PN 4391-027 spacers and associated hardware. Follow the instructions below and figure 1, for replacement. The parts list of table 1, will also apply.

Disassembly must have been completed to the point of complete removal of the circuit board cover and circuit board of the line section.

Line Section Reassembly

1. Place the line section assembly on a flat surface with the flat side facing up. Remove the two standoffs (12) and two number 4 lockwashers from the kit.
2. Assemble the No. 4 internal tooth lockwashers on the short threaded end of the standoffs.
3. Screw the short end of the standoffs (12) with lockwashers (11) into the line section. Select the two threaded holes nearest the element socket bores as shown in figure 1. Use a 3/16 inch wrench to tighten the standoffs.
4. Position one of the two remaining spacers (4) over each of the two remaining threaded holes.
5. Gently lower the PC board assembly into place over the standoffs. Line up the two mounting holes in the PC board with the spacers and the two remaining threaded holes in the line section assembly. Screw two fillister head screws (5) through the holes in the PC board and spacers (4) into the line section's threaded holes.
6. Position the two spacers (9) over the standoffs (12). Place cover (1 O) over the PC board subassembly and position with the threaded ends of the standoffs protruding through the cover holes.
7. Screw two 4-40 hex nuts with nylon inserts (8) on the ends of the standoffs (12) to secure the cover (10).

This concludes the assembly of the Retrofit Kit PN 4391-039. Proceed with further reassembly according to the book's instruction.

Figure 1. Line Section Assembly

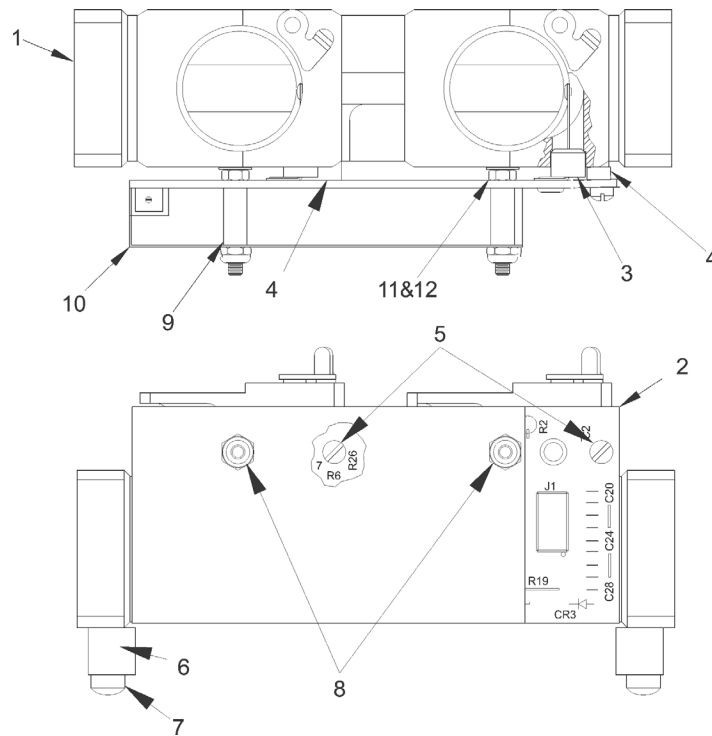


Table 1. Parts List

INDEX NO.	DESCRIPTION	CAGE CODE	MFG PART NO.	QTY
	1 2 3 4 5 6 7			
5-5	LINE SECTION, Assembly	70998	4391-064	REF
-1	LINE SECTION, Subassembly	70998	4391-065	1
-2	PC BOARD, Data Acquisition Assy (See fig. 5-6 for breakdown.)	70998	4391-062	1
-3	BEAD, Keying	70998	4391-026	2
-4*	SPACER	70998	4391-027	2
-5	SCREW, Machine, fillister head, No. 4-40 x 1/4, sst		COML	2
-6	SUPPORT	70998	4391-029	2
-7	SCREW, Machine, fillister head, No. 8-32 x 1/2, sst		COML	4
-8*	HEX NUT, with nylon insert, No. 4-40, sst		COML	2
-9	SPACER	70998	4391-035-1	2
-10	COVER, PC Board	70998	4391-034	1
-11*	LOCKWASHER, No. 4 Internal tooth		COML	2
-12*	STANDOFF, Threaded	70998	4391-038	2

* Applicable to all units after serial number, 1724