

INSTRUCTION BOOK FOR

BIRD

SERIES 8920-400A

**TERMALINE®
RF WATTMETER**

LIMITED WARRANTY

All products manufactured by Seller are warranted to be free from defects in material and workmanship for a period of one (1) year, unless otherwise specified, from date of shipment and to conform to applicable specifications, drawings, blueprints and/or samples. Seller's sole obligation under these warranties shall be to issue credit, repair or replace any item or part thereof which is proved to be other than as warranted; no allowance shall be made for any labor charges of Buyer for replacement of parts, adjustment or repairs, or any other work, unless such charges are authorized in advance by Seller.

If Seller's products are claimed to be defective in material or workmanship or not to conform to specifications, drawings, blueprints and/or samples, Seller shall, upon prompt notice thereof, either examine the products where they are located or issue shipping instructions for return to Seller (transportation-charges prepaid by Buyer). In the event any of our products are proved to be other than as warranted, transportation costs (cheapest way) to and from Seller's plant, will be borne by Seller and reimbursement or credit will be made for amounts so expended by Buyer. Every such claim for breach of these warranties shall be deemed to be waived by Buyer unless made in writing within ten (10) days from the date of discovery of the defect.

The above warranties shall not extend to any products or parts thereof which have been subjected to any misuse or neglect, damaged by accident, rendered defective by reason of improper installation or by the performance of repairs or alterations outside of our plant, and shall not apply to any goods or parts thereof furnished by Buyer or acquired from others at Buyer's request and/or to Buyer's specifications. In addition, Seller's warranties do not extend to the failure of tubes, transistors, fuses and batteries, or to other equipment and parts manufactured by others except to the extent of the original manufacturer's warranty to Seller.

The obligations under the foregoing warranties are limited to the precise terms thereof. These warranties provide exclusive remedies, expressly in lieu of all other remedies including claims for special or consequential damages. SELLER NEITHER MAKES NOR ASSUMES ANY OTHER WARRANTY WHATSOEVER, WHETHER EXPRESS, STATUTORY, OR IMPLIED, INCLUDING WARRANTIES OF MERCHANTABILITY AND FITNESS, AND NO PERSON IS AUTHORIZED TO ASSUME FOR SELLER ANY OBLIGATION OR LIABILITY NOT STRICTLY IN ACCORDANCE WITH THE FOREGOING.

MODELS COVERED IN THIS INSTRUCTION BOOK

8926-400A
8927-400A

INSTRUCTION BOOK
FOR

SERIES 8920-400A
TERMALINE® RF WATTMETER

BIRD
Electronic Corporation

30303 Aurora Road, Cleveland, Ohio 44139-2794
Copyright 1992 by Bird Electronic Corporation

TABLE OF CONTENTS

	Page
SAFETY PRECAUTIONS.....	iii
SECTION I - INTRODUCTION	
1-1 Purpose and Function.....	1
1-3 Performance Characteristics and Capabilities.....	1
1-5 General Description.....	1
1-8 Dimensions and Weight.....	1
1-10 Power and Utility Requirements.....	2
1-12 Environmental Requirements.....	2
1-14 Items Furnished.....	2
1-16 Items Required.....	2
1-18 Tools and Test Equipment.....	2
SECTION II - INSTALLATION	
2-1 Mounting.....	5
2-3 Coupling Kits.....	5
2-6 RF Connection.....	5
2-9 Meter Placement.....	6
2-11 Thermoswitch.....	6
SECTION III - THEORY OF OPERATION	
3-1 General.....	9
3-3 Element Socket.....	9
3-6 Coupling Circuit.....	9
3-9 Dielectric Coolant and Seal.....	10
3-11 Cooling.....	10
SECTION IV - OPERATING INSTRUCTIONS	
4-1 Use and Function of Controls.....	11
4-4 Initial Adjustment and Control Settings.....	11
4-8 Start-Up.....	12
4-10 Normal Operation.....	12
4-14 Operation Under Emergency, Adverse or Abnormal Conditions.....	12
4-17 Shutdown.....	13
4-19 Emergency Shutdown.....	13
SECTION V - MAINTENANCE	
5-1 Troubleshooting.....	14
5-3 Cleaning.....	15
5-6 Inspection.....	15
5-9 Preventive Maintenance.....	16
5-13 Contact Adjustment.....	16

TABLE OF CONTENTS [CONT.]

	Page
5-15 Repairs.....	16
5-17 Unit Test.....	17
5-19 Disassembly.....	17
5-21 Reassembly.....	17
5-23 Coolant.....	17
 SECTION VI - PREPARATION FOR RESHIPMENT	
6-1 General.....	19
 SECTION VII - STORAGE	
7-1 General.....	20
 SECTION VIII - REPLACEMENT PARTS LIST	
8-1 General.....	21
 ILLUSTRATIONS	
1-1 Series 8920-400A Outline Drawing.....	4
2-1 3 1/8" Flanged Attachment (Model 8926-400A).....	7
2-2 3 1/8" Unflanged Attachment (Model 8927-400A).....	7
2-3 Thermostat Assembly.....	8
8-1 Supplement Element Table.....	22
8-2 Shipping Plug.....	23
8-3 Shielded Vent Plug Assembly.....	23
 TABLES	
1-1 Specifications.....	3

SAFETY PRECAUTIONS

The following are general safety precautions that are not necessarily related to any specific part or procedure and do not necessarily appear elsewhere in this publication.

Keep away from live circuits.

Operating personnel must at all times observe normal safety regulations. Do not attempt to replace parts or disconnect an RF transmission or any other high voltage line while power is applied. When working with high voltage always have someone present who is capable of rendering aid if necessary. Personnel working with or near high voltage should be familiar with modern methods of resuscitation.

Warning: Warning notes call attention to a procedure which, if not correctly performed, could result in personal injury.

Caution: Caution notes call attention to a procedure which, if not correctly performed, could result in damage to the instrument.

The following will appear in the text of this publication and are shown here for emphasis.

```
*****
*                               C A U T I O N                               *
*                               *                                           *
* This equipment is designed for operation in only a *
* horizontal position, with mounting brackets down. *
* Do not operate in any other manner. *
*                               *                                           *
*                               pg 5 *
*****
```

```
*****
*                               W A R N I N G                               *
*                               *                                           *
* Before placing the unit into operation, remove the *
* shipping plugs at the top of the radiator, near the *
* front, and replace with the specially shielded breather *
* plugs. These breather plugs open at a preset pressure *
* and should be installed in place when the unit is in *
* operation. Failure to do this could result in damage *
* to the equipment and endanger the operator's safety. *
*                               *                                           *
*                               pg 6 *
*****
```

Continued

* W A R N I N G *
* *
* Using this load in the upper end of its power *
* dissipation range will cause the housing to become hot! *
* Care should be exercised in touching it. *
* pg 12 *

* W A R N I N G *
* *
* Never attempt to disconnect the equipment from the *
* transmission line while RF power is being applied. *
* Leaking RF energy is a potential health hazard. *
* pg 12, 13 *

* C A U T I O N *
* *
* Do not excessively overload these units above the rated *
* 5 kilowatts of power. Overloading for any length of *
* time will cause resistor failure. *
* pg 12 *

* W A R N I N G *
* *
* Provide adequate ventilation and observe normal *
* precautions when using dry cleaning solvents. Many dry *
* cleaning agents emit toxic fumes that may be harmful to *
* your health if inhaled. Avoid prolonged contact with *
* skin. *
* pg 15 *

* C A U T I O N *
* *
* Use no other coolant than that provided by Bird *
* Electronic Corporation. The use of any other *
* dielectric coolant will seriously alter the stated *
* specifications. *
* pg 17 *

SERIES 8920-400A TERMALINE® WATTMETERS

SECTION 1 - INTRODUCTION

1-1. PURPOSE AND FUNCTION

1-2. The Series 8920-400A TERMALINE® Wattmeters are designed to be low reflection and nonradiating terminating wattmeters for 50 ohm RF coaxial transmission lines. They serve to aid in the tuning and trouble shooting of transmission equipment whose characteristics fall within the performance range of the elements. These performance specifications are described in the next paragraph and summarized on page 3.

1-3. PERFORMANCE CHARACTERISTICS AND CAPABILITIES

1-4. The Series 8920-400A Wattmeters are able to safely and continuously dissipate up to 5,000 watts of RF power. They will measure and indicate RF power applied within +8 percent of full scale from 54 to 890 MHz, on a meter for direct reading. It is possible to subject these wattmeters to moderately higher power for limited periods of time. The Series 8920-400A may be equipped with a thermoswitch, Bird P/N 8890-008, which would be interlocked with the source of RF energy. In this way, the load will be automatically protected from the consequences of over heating. The intended frequency range is 2 to 1000 MHz within which the loads will reflect very little power back to the source. The actual VSWR, "voltage standing wave ratio", will not exceed 1.15 to 1.00 max from 0 to 400 MHz, 1.2 to 1.00 max 400 to 1 GHz.

1-5. GENERAL DESCRIPTION

1-6. These units are rhombic in shape yet have a rectangular mounting base. Attached to the front and rear panels are mounting flanges. These flanges act as supports for free standing use in portable applications, or as mounting brackets for optional fixed installation. There are mounting holes provided in the flanges for this purpose, see Section II - Installation. convenient carrying flaps are also provided at each end of the radiator.

1-7. The RF input connection is on the lower front face of the unit. The respective models are designed for use with 3-1/8 inch EIA flanged or 3 1/8 inch unflanged rigid line connections. Connection arrangements are described in Section IV - Theory of Operation. The load unit is filled with a specially selected dielectric coolant. Near the top and to the front on either side of the dummy load are two vent plugs which relieve internal pressure resulting from expansion of heated coolant.

1-8. DIMENSIONS AND WEIGHT

1-9. The Series 8920-400A Wattmeters are 26-53/64 inches high x 9-1/2 inches wide and approximately 32-3/4 inches long (681 x 241 x 832 mm). The length is dependent on the type of connector used on the different models. Exclusive of the connector and thermoswitch, the length is approximately 29 inches (737 mm). The net weight is approximately 132.5 lb, (60 kg).

1-10. POWER AND UTILITY REQUIREMENTS

1-11. The Series 8920-400A is fully self-contained. No outside power source is required other than the RF Input Power. An over-temperature thermoswitch, P/N 8890-008, is provided for use in the operation of this load to prevent damage which could occur from accidental transmitter power overload, see Section II - Installation.

1-12. ENVIRONMENTAL REQUIREMENTS

1-13. Although Series 8920-400A Wattmeters are ruggedly built and should provide trouble free service, a dust and vibration free dry environment is preferred. The wattmeter will function according to its specifications as long as the ambient temperature remains within the range of -10°C to $+45^{\circ}\text{C}$ (14°F to 113°F), and its access to air is not impeded. It is recommended that a clear space of at least 12 inches (30 cm) be allowed around the load. Since the wattmeter absorbs and dissipates, as heat, all of the RF power it receives, no harmful RF radiation is released into the environment.

1-14. ITEMS FURNISHED

1-15. Series 8920-400A Wattmeters are prefilled with the proper amount of coolant at the factory. The coolant is sealed within the radiator by a special shipping plug. The shipping plug is to be replaced, before operating the wattmeter, by a vent relief valve which is attached to the shipping plug by a bead chain. The coupler for connecting the wattmeter to the coaxial transmission line is included with the wattmeter. A meter in a housing with connecting cables the overtemp thermoswitch, and this instruction book are the only additional parts furnished with all Series 8920-400A Wattmeters.

1-16. ITEMS REQUIRED

1-17. No additional equipment is required except for having an appropriate mating connector on the transmission line to which the wattmeter is to be connected. Additional elements may be ordered from Table 19 in the Bird Standard Catalog or Table 8-1 in Section VIII of this instruction book.

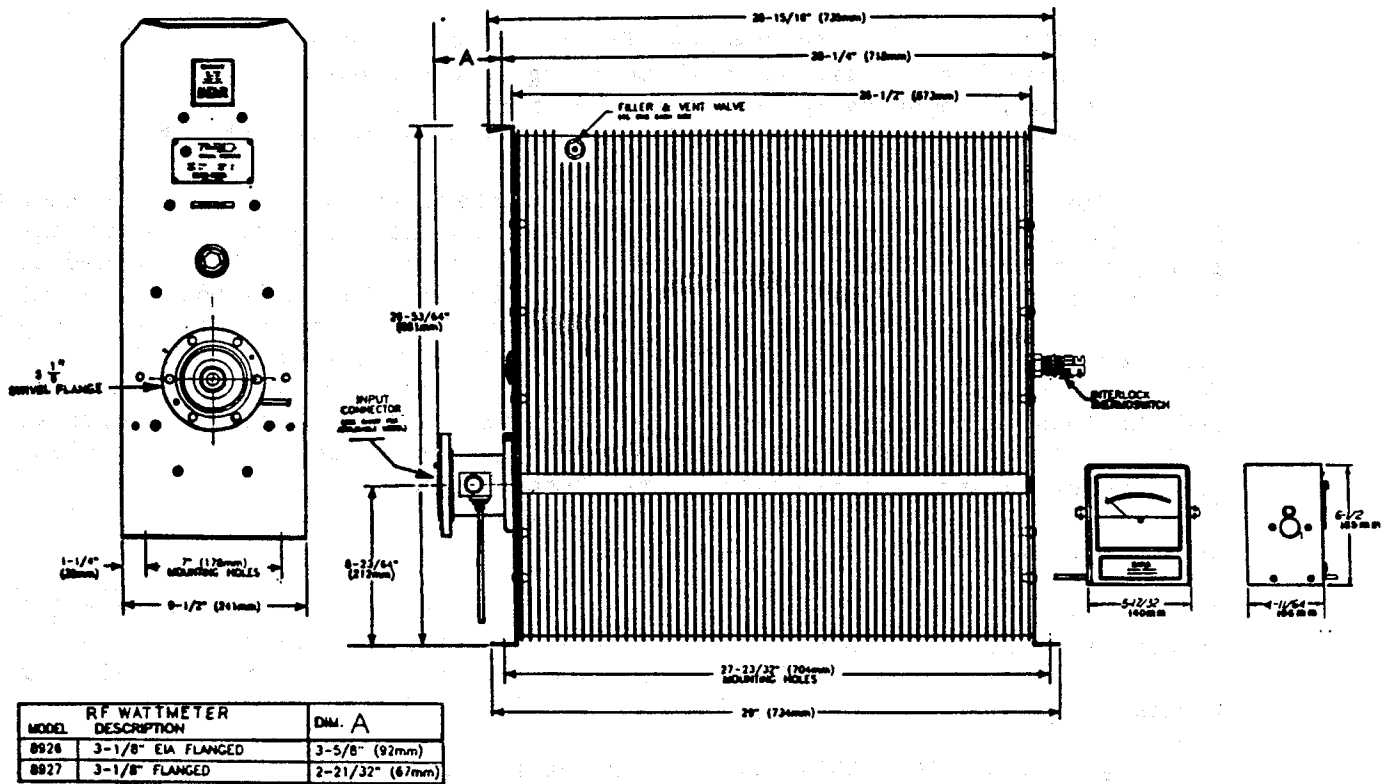
1-18. TOOLS AND TEST EQUIPMENT

1-19. Only simple tools such as screwdrivers and box wrenches are needed for changing shipping plugs, replacing the resistor element, changing the coolant, etc. For checking the condition of the resistor, a resistance bridge or ohmmeter with an accuracy of ± 1 percent, or better, at 50 ohms is suggested. A simple volt-ohm meter will suffice for checking the thermoswitch.

SPECIFICATIONS FOR SERIES 8920-400A TERMALINE® WATTMETERS

Impedance	50 ohms
VSWR	1.15-1.0 dc to 890 MHz
Connectors	
Model 8926-400A.....	3-1/8" EIA flanged
Model 8927-400A.....	3-1/8" unflanged (Flush center conductor)
Power Rating	
All models.....	5 kW continuous duty
Frequency Range	54 to 890 MHz
NOTE - Actual frequency and power ranges are determined by the element used.	
Accuracy	+8% of full scale
Ambient Temperature	-10°C to +45°C (14F to 113F) storage 25°C ±5°C (77F ±9F) operating
Cooling Method	Liquid dielectric and convection currents
Overall Dimensions (approximate)	26-56/64"H x 9-1/2"W x 32-3/4"L (683 x 241 x 832 mm)
Length	
Flanged units.....	32-3/4" (832 mm)
Unflanged units.....	31-25/32" (807 mm)
Meter	4-11/64"L x 5-17/32"W x 6-1/2"H (106 x 140 x 165 mm)
Weight	132.5 lb (60 kg)
Meter	5 lb (2.27 kg)
Finish	
Load and Metering Housing.....	Light navy gray baked enamel (MIL-E15090B)
RF Section.....	Bright silver plate

FIGURE 1-1. SERIES 8920-400A OUTLINE DRAWING



SECTION II - INSTALLATION

2-1. MOUNTING

* CAUTION *
* *
* This equipment is designed for operation in only a *
* horizontal position, with mounting brackets down. *
* Do not operate in any other manner. *

2-2. The Series 8920-400A TERMALINE® Wattmeters are equipped for either fixed installations or portable use. There are mounting brackets on the front and rear faces of the unit. The load may stand free or be attached to a bench, etc., by means of four suitable fasteners. Four 3/8 inch (9.5 mm) mounting slots, to be used with appropriate screw sets up to 3/8 inch diameter, are arranged in a 7 inch x 27-23/32 inch rectangle (178 x 704 mm). The wattmeter is installed in a 3-1/8 inch 50 ohm coaxial line where desired and the insertion coupling is feasible. Be sure that all exposed electrical surfaces, both on the metal contacts and insulators, are thoroughly clean and free of moisture before making the installation.

2-3. COUPLING KITS

2-4. The RF section is a length of matching 3-1/8 inch coaxial transmission line. For Model 8926-400A the RF connector section has a bolted flange that is of the swivel type. It is inserted into the existing transmission line using a coupling kit, P/N 4600-020.

2-5. For Model 8927-400A the RF connector section is unflanged. It is inserted into the transmission line using an unpressurized straight coupling kit, P/N 5-726.

2-6. RF CONNECTION

2-7. For the model 8926-400A, with a flanged RF connector, the center conductor anchor bullet, P/N 4600-021, mates with the center conductor of the 3-1/8 inch 50 ohm coaxial transmission line. This line should be fitted with 3-1/8 inch EIA bolt-type flanges, see figure 2-1. It is permissible for the mating flanges of the stationary line to be of the rigid type because the connector section has a swivel type flange. Before fitting bolts to the coupling flanges, make sure that the center conductor anchor bullet has been positioned with insulators properly seated in the counterbores. Use six suitable screw and nut assemblies for attachment, 3/8-16 x 1-1/2 nut and screw assemblies are recommended. Tighten evenly all around to get a firm and uniform contact on the periphery of the outer conductor of both flanges.

2-8. For the model with the unflanged connector, Model 8927-400A, the connector bullet mates with the center conductor of the 3-1/8 inch 50 ohm coaxial transmission line. Insert the bullet in the center conductor of the wattmeter's connector and push firmly in until it bottoms. Slide the outer conductor sleeve over the transmission line first and then insert the connector into the transmission line, see figure 2-2. Both ends of the bullet should be firmly seated in the center conductor with the connector of the wattmeter butted snugly against the transmission line. Then slide the outer sleeve over the junctures of the connector and the transmission line and tighten the clamping band screws to complete the installation.

2-9. METER PLACEMENT

2-10. A standard ten foot (3 meter) cable is supplied with each wattmeter and is equipped with a dc connector plug on one end and lugs on the other. Alternate lengths are available on request. Connect the dc cable plug to the jack on the measuring element socket. Make certain that the connection is tight and clean to ensure accurate readings, see Section IV - Maintenance. The meter may be placed anywhere within the reach of the dc cable, but avoid locations that are dusty or subject to temperature extremes.

2-11. THERMOSWITCH

2-12. The wattmeters are provided with an interlock thermoswitch assembly, P/N 8890-008. Installed in the back of the radiator, it will prevent possible damage occurring from accidental transmitted power overload or equipment malfunction. Being normally closed, the thermoswitch opens at a maximum safe coolant temperature. Connected in series with the transmitters interlock, it cuts off transmitter power if the coolant temperature exceed this value. The assembly consists of a thermoswitch body, P/N 8890-015 with a coupling jack, P/N 2450-018 attached.

```
*****  
*                               W A R N I N G                               *  
*                                                                                   *  
* Before placing the unit into operation, remove the                          *  
* shipping plugs at the top of the radiator, near the                          *  
* front, and replace with the specially shielded breather                      *  
* plugs. These breather plugs open at a preset pressure                       *  
* and should be installed in place when the unit is in                        *  
* operation. Failure to do this could result in damage                       *  
* to the equipment and endanger the operator's safety.                       *  
*****
```

FIGURE 2-1. 3-1/8 INCH FLANGED ATTACHMENT (MODEL 8926-400A)

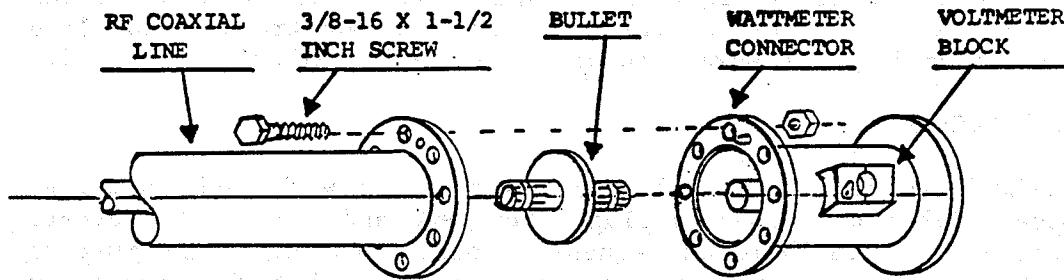
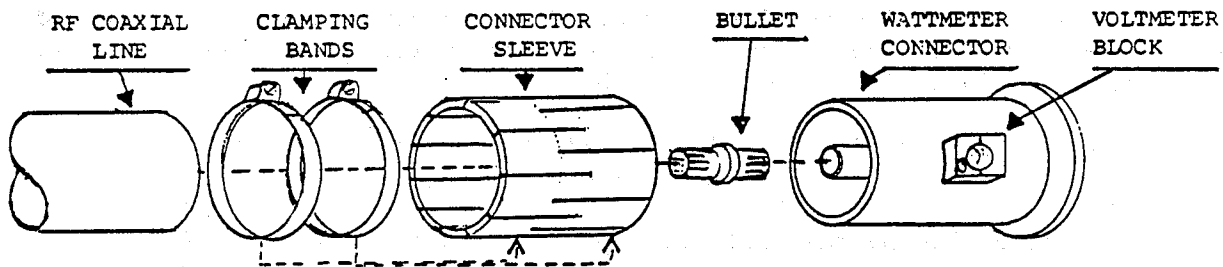


FIGURE 2-2. 3-1/8 INCH UNFLANGED ATTACHMENT (MODEL 8927-400A)



2-13. If a thermosthitch is to be replaced or field installed, proceed as follows:

- a. Replace the vent plugs with the shipping plugs first. Then stand the unit on its front end with the connector down. In this position there is no danger of the coolant pouring out through the rear socket plug hole.
- b. Using a 9/16 inch Allen wrench, remove the socket plug from the center of the back panel.
- c. Replace the plug with the thermosthitch. Use an acceptable pipe sealing compound sparingly on the external threads only of the thermosthitch. Do not contaminate the coolant with pipe sealing compound. Observe closely for coolant leaks upon completion.

2-14. Connect the thermosthitch as follows: (See reference photo figure 2-3).

- a. Unscrew the larger knurled ring-nut (A) at the lower end of the coupling jack assembly. Pull it off from the thermosthitch jack (B). Unscrew the small knurled cover fitting (C) from the base plug (D) of the connector to release the base.
- b. Thread the interlock wires through the clamp (E) with the washers (F) inside and with its threaded fitting in place. Service the interlock wire with short tips, use spaghetti sleeves over the wire ends if needed. Then securely solder the interlock leads to the lugs (G) of the connector base. Note - Be sure that the larger captive clamping nut (A) is in place over the base plug (D) with the knurled end outward towards face.
- c. Screw on the cover ring (C) first, then fasten the cable clamp (E) in place, and tighten the two yoke screws (H) on the cable. Push the plug back on to the thermosthitch, and tighten the captive knurled connecting ring. Do not attempt to operate the equipment without the interlock attached.

FIGURE 2-3. THERMOSWITCH ASSEMBLY

SECTION III - THEORY OF OPERATION

3-1. GENERAL

3-2. The Series 8920-400A equipment consists essentially of a film-on ceramic resistor immersed in a dielectric coolant. The resistor, which is individually selected for its accuracy is enclosed in an exponentially tapered housing, providing a reduction in surge impedance directly proportional to the distance along the resistor. When the resistor unit is immersed in dielectric liquid, the characteristic impedance will be 50 ohms at the connector end and graduate down from there to zero ohms at the rear, where the resistor joins the housing to form the return conductor of the coaxial circuit. This produces a uniform, practically reflectionless line termination over the stated frequencies of the wattmeter.

3-3. ELEMENT SOCKET

3-4. An accurately positioned socket for inserting a radio frequency coupling device, called a THRULINE® Plug-In Element, is mounted on the outer conductor of the input connector. The socket is precision bored to hold the rotatable element in its calibrated position, with a spring-loaded clasp to keep the element firmly seated. The machined step on the top face of the socket engages a stop-pin on the element. Rotary movement of the element is thereby restricted to 180° and is stopped on the axial center line.

3-5. The measuring socket has a hole bored through the wall through which an insulated phosphor bronze contact finger projects. The plug-in element has terminals on diametrically opposite sides of its body, so that pick-up can be made from either side. A small silvered button tip can contact the element only in the precise forward and reflected measuring position (against the end stops). A specially designed jack mounted on the side of the socket mates with the plug on the dc cable furnished with the read-out meter. The dc jack assembly has a built-in filter capacitor shunted across the meter circuit. This more fully protects meter readings against the adverse effects of any stray RF energy generated in the plug-in element.

3-6. COUPLING CIRCUIT

3-7. The coupling circuit which samples the travelling waves is in the plug-in element. Energy will be produced in the coupling circuit of the element by both mutual inductance and capacitance from the travelling RF waves of the line section. Of course, the inductive currents will flow according to the direction of the travelling waves producing them.

3-8. The capacitive portion of these currents are naturally independent of the direction of the travelling waves. Therefore, it is apparent that the inductive portion of the current produced from the waves of one direction will add in phase to the capacitive portion of the current, and those of the opposite direction will subtract in phase. Of course, the additive direction is the forward or arrow direction of the element.

3-9. DIELECTRIC COOLANT AND SEAL

3-10. The dielectric coolant, a low volatility, high flash point synthetic oil, is chosen for its desirable thermal characteristics and dielectric properties, to which the diameters of the resistor housing are matched. A synthetic rubber O-Ring around the outside of the resistor housing mount furnishes a seal for the radiator opening. A beveled flange retains the O-Ring which is pressed against the radiator face by the drawing up action of the radial V-band clamp around the flange.

3-11. COOLING

3-12. When input power is applied, the resistor generates heat which is absorbed by the surrounding dielectric coolant. By convection, the heated oil flows through holes in the coaxial shell to the walls of the radiator tank. The radiator is carefully designed of heat-sink sections on a unique vertical rhombic form and is fabricated into a single unit construction. This provides a very high efficiency in transferring heat from the dielectric coolant into the surrounding air.

SECTION IV - OPERATING INSTRUCTIONS

4-1. USE AND FUNCTION OF CONTROLS

4-2. There are no operating controls required for Series 8920-400A TERMALINE® Wattmeters. Measurements are made by the insertion and operation of the plug-in elements previously mentioned. The elements will have a power range that corresponds with one of the scales on the meter face, and the major markings are the power values for that element. Elements are also marked for frequency range. The transmitter power and frequency must be within the limitations of the element used. Elements are selected from the Bird Catalog Table 19 or from Table 8-1 of this instruction book.

4-3. The arrow on the plug-in element indicates the sensitive direction; i.e., the direction of power flow which the meter will read. Forward and reflected are directional terms used in reference to the THRULINE® Element, and mean respectively the sensitive and null directions of the element. Rotate the element 180° to reverse the sensitive direction. Forward and reflected also are directional terms used in reference to the source-load circuit.

4-4. INITIAL ADJUSTMENTS AND CONTROL SETTINGS

4-5. The wattmeter is ready for connection as received from the factory, but it may be useful to check the 50 ohm input resistance of the load before attachment, see Section V, Maintenance. Be sure the vent plug is installed, (See figure 8-1 and 8-2).

4-6. Wipe all conductors and insulator surfaces on the transmission line face with a clean soft cloth and check the RF input connector. Use a self-drying, nonresidue forming contact cleaner on the inaccessible portions of the connector, if necessary.

4-7. Attach the respective wattmeter models to the RF line as follows. Use the connector kits as listed:

1. Model 8926-400A - 3-1/8 inch EIA flanged, 50 ohms. Coupling Kit, P/N 4600-020 - 3-1/8 inch EIA which includes: (6) 3/8-16 x 1-1/2 screw and nut sets, O-Ring, and anchor bullet center conductor.

2. Model 8927-400A - 3-1/8 inch unflanged 50 ohms flush center conductor. Coupling Kit, P/N 5-726 which includes: outer sleeve with two clamping bands and the coupling bullet center conductor. Make sure all connections are properly tightened. Avoid unnecessary use of adapters and elbows as much as possible. After the wattmeter has been properly installed on the transmission line attach the dc connector cable from the element socket to the meter.

4-8. START-UP

4-9. Proceed according to the instructions pertaining to the specific transmitting equipment. Due to the difference in VSWR between the wattmeter and the transmitter's antenna, readjustment of the transmitter may be required when returning to the original antenna.

```
*****  
*                               W A R N I N G                               *  
*                               *                                           *  
* Using this load in the upper end of its power                          *  
* dissipation range will cause the housing to become hot!                *  
* Care should be exercised in touching it.                               *  
*****
```

```
*****  
*                               W A R N I N G                               *  
*                               *                                           *  
* Never attempt to disconnect RF equipment from a                       *  
* transmission line while RF power is being applied.                     *  
* Leaking RF energy is a potential health hazard.                        *  
*****
```

4-10. NORMAL OPERATION

4-11. Since there are no operating controls or adjustments, these wattmeters do not require hands-on attention. They should function faultlessly converting RF energy into heat for indefinite periods providing their power capacity is not exceeded.

4-12. Before taking readings be sure that the meter pointer has been properly zeroed under zero power conditions. Direct power readings are made from the wattmeter dial.

4-13. Insert the appropriate element in the socket of the line section and rotate the element so that the arrow on its nameplate is pointed away from the RF source for forward power and towards the source for reflected power. Turn on the RF source and read the power level from the appropriate meter scale.

4-14. OPERATION UNDER EMERGENCY, ADVERSE OR ABNORMAL CONDITIONS

```
*****  
*                               C A U T I O N                               *  
*                               *                                           *  
* Do not excessively overload these units above the rated                *  
* 5 kilowatts of power. Overloading for any length of                    *  
* time will cause resistor failure.                                       *  
*****
```

4-15. The elements for the THRULINE® Wattmeter can withstand at least a 20 percent, of full scale, overload. The meter pointer will be deflected off scale, during overload conditions, but generally no damage to the meter

movement will occur. This, however, is not a very propitious condition and should be avoided. This usage will, nevertheless, give an indication of the magnitude of power flow.

4-16. The Series 8920-400A Wattmeters are not intended or recommended for outdoor use where they may be unprotected and exposed to the elements. They may be subjected to moderate overloads for limited periods without over heating. However, this should be done cautiously and it is strongly recommended that if such use is contemplated, the interlock thermoswitch should be properly connected. When interlocked with the power line of the source of RF energy, the thermoswitch becomes a fail safe device to guard the load against the dangers of overheating, and possible destruction of the resistive element.

4-17. SHUTDOWN

4-18. Because these wattmeters are passive devices, there is no way to turn them off. The RF source must be shut off instead.

4-19. EMERGENCY SHUTDOWN

```
*****  
*                               W A R N I N G                               *  
*                                                                                   *  
* Never attempt to disconnect the equipment from the                       *  
* transmission line while RF power is being applied.                         *  
* Leaking RF energy is a potential health hazard.                            *  
*****
```

4-20. In case of an overload, it is possible to rotate the element to the midpoint between the forward and reflected positions and thereby electrically decouple the element from the center conductor and shunt the meter movement. For safety's sake do not attempt to remove the element while RF power is still flowing through the line section.

SECTION V - MAINTENANCE

5-1. TROUBLESHOOTING

5-2. As a brief guide to the operator in isolating occasional difficulties that may occur in the use of the wattmeter, the following summary is included. The remedies for some are reference to the text in this section or are self-evident.

PROBLEM	POSSIBLE CAUSE	REMEDY
No meter indication	No RF power	Check RF source.
	Arrow on plug-in element pointed in wrong direction	Re-position element.
	No pick-up from dc contact finger	Adjust, (see para 5-13, Contact Adjustment).
	Open or short circuit in dc meter cable	Replace defective cable (RG-58/U).
	Meter burned out or damaged	Return wattmeter and elements to the factory for meter replacement and recalibration.
Intermittent or inconsistent meter readings	Faulty transmission line	Inspect line.
	Faulty load	Check load resistance per para 5-17.
	Dirty dc contact on elements	Clean, (see para 5-3, Cleaning).
	Sticky or defective meter	Return wattmeter and elements to the factory for meter replacement and recalibration.
Excessive reflected power (as indicated by wattmeter)	Resistor element damaged	Test resistor for resistance value (see para 5-17, Unit Test).
	Insufficient dielectric fluid	Check coolant level and add coolant if necessary (see para 5-23, Coolant).

TROUBLESHOOTING [CONT.]

PROBLEM	POSSIBLE CAUSE	REMEDY
Leaking dielectric fluid	Worn or defective O-Ring seal	Replace O-Ring.
	Loose clamping band	Tighten clamping band.

5-3. CLEANING

```

*****
*                                     *
*                W A R N I N G        *
*                                     *
* Provide adequate ventilation and observe normal *
* precautions when using dry cleaning solvents. Many dry *
* cleaning agents emit toxic fumes that may be harmful to *
* your health if inhaled. Avoid prolonged contact with *
* skin. *
*****
    
```

5-4. The outside surface of the instrument should be wiped free of dust and dirt when necessary. Excessive collection of dust and lint on the cooling fins will interfere with the efficient dissipation of heat. Clean the RF input connector with a self-drying, nonresidue forming contact cleaner. Take special care to clean the metallic contact surface and the exposed faces of the teflon insulator.

5-5. It is particularly important to keep the mating surfaces of the socket and plug-in element clean. This applies not only to the bore of the socket and circumference of the element body, but most particularly to the bottom rim of the element body and the seat at the base of the socket in the line section. Also check the ends of the insulated dc contacts on the element. They should be clean and smooth. These parts can be carefully cleaned with a soft cloth and contact cleaner as mentioned. There must be a good contact between the base of the plug-in element and its socket to assure stable operation.

5-6. INSPECTION

5-7. Inspect the line from time to time for cleanliness and proper adjustment, (see paras 5-3, Cleaning and 5-9, Preventive Maintenance). Make sure all connections are clean and tight. Disconnect the meter lead and check the zero setting without power, adjust if necessary.

5-8. Periodically inspect around the bottom of the clamping band on the connector flange and also around the thermoswitch, if the load is so equipped, for signs of possible coolant leakage. Consult para 5-12,

Preventive Maintenance for proper action. Check the connector assembly for tightness. Inspect the cooling fins for accumulation of dust and lint and the painted metal parts for signs of corrosion.

5-9. PREVENTIVE MAINTENANCE

5-10. With the simple construction and generally self-contained nature of the wattmeter, there is only a moderate amount of maintenance required. One of the major precautions is in handling: Use reasonable care and do not drop the equipment or especially the plug-in elements.

5-11. The main factor in maintenance is care and cleanliness. The element socket should be kept plugged as much as possible to prevent the intrusion of dust. If a plug-in element is to be used for this purpose, use the highest power element available. The element should be positioned so that the arrow is pointing midway between the forward and reflected measuring positions. This will not only protect the meter but will also avoid exposing the element diode to dangerous potentials if the RF line section should be energized.

5-12. If there are signs of coolant leakage around the clamping band try tightening the clamping screw. If the leakage persists, it is likely that the O-Ring seal is damaged or deteriorated. Replace it, (see para 5-20, Disassembly). Wipe the cooling fins clean of accumulated dust and lint in order to preserve their efficiency in transferring heat to the environment. If signs of corrosion appear on the painted metal surfaces, sand the patches clean of rust and then reseal them with touch-up paint.

5-13. CONTACT ADJUSTMENT

5-14. In cleaning the socket bore, the operator should be careful not to disturb the spring finger of the dc contact. It is important that the operating position of this part be properly maintained. If the spring finger of the dc contact requires adjustment, it may be done manually if carried out with care. The tip must be positioned far enough out to maintain good contact with the element, but not so far as to interfere with easy entry of the element body. The dc jack, with attached spring finger, may be detached for service by removing the two 4-40 fillister head machine screws which fasten it to the side of the RF line section. Then lift off the jack assembly carefully to avoid losing the small teflon insulating bead that straddles the base of the phosphor bronze spring and nests in the counterbore on the side of the RF body. When replacing the assembly, be sure that the bead is again properly inserted.

5-15. REPAIRS

5-16. As indicated in para 5-19, Disassembly, the resistor assembly is not subject to field repair and must be replaced if it is found to be defective. Similarly if the RF connector in the Series 8920-400A is damaged it must be replaced.

5-17. UNIT TEST

5-18. Accurate dc measurement of the input resistance will provide a good check of the condition of the load resistor. For this measurement, a resistance bridge or ohmmeter with an accuracy of 1 percent or better at 50 ohms should be used. Use low resistance leads, preferably a short piece of 50 ohm cable with clips which can attach to the input connector of the wattmeter. When the resistor is checked at room temperature, the measured resistance should be within a range of 49 to 52.5 ohms. If the value materially exceeds this allowance, the load resistor may need replacement.

5-19. DISASSEMBLY

5-20. To change the load resistor assembly, place the unit on its back end, connector up, and loosen the 10-32 x 1-1/2 inch screw on the clamping band. When lifting the radiator front, be careful to keep its top side always face up. The vent hole at the radiator top is so placed that, when the equipment is up-ended in this manner, the coolant level will be just below the vent hold and will not spill out. Remove the clamping band, and lift the load resistor assembly out of the tank, allow coolant to drip back into the tank. This unit is not subject to further disassembly by field maintenance, and a defective unit should be returned to the factory, along with the meter and elements, for repair, replacement, and recalibration. Before replacing the RF assembly, be sure that the O-Ring seal is in good condition. It should be free of surface cracks and twists and be positioned evenly all around the beveled flange of the resistor housing. If not, replace it.

5-21. REASSEMBLY

5-22. To reassemble the load after replacing the resistor or the coolant reverse the procedure, (see para 5-19, Disassembly).

5-23. COOLANT

5-24. The level of the dielectric coolant should remain constant in the unit even after prolonged usage under normal operating conditions. Inspect occasionally around the lower portion of the clamping band, for possible coolant leakage. Tighten the clamping screw if required. Under very unusual conditions it might become necessary to replace the resistor housing seal O-Ring (see para 5-19, Disassembly).

```

*****
*                               C A U T I O N                               *
*                               *                                           *
* Use no other coolant than that provided by Bird                       *
* Electronic Corporation. The use of any other                           *
* dielectric coolant will seriously alter the stated                     *
* specifications.                                                         *
*****

```


5-25. Check the coolant level by placing the load on end with the input connector up. As above, remove the load resistor assembly. When the unit is at ambient room temperature, the coolant level should be 4-3/4 inch (121 mm) below the top surface of the load resistor assembly mounting ring.

5-26. When the coolant oil is heated, thermal expansion will cause an increase in the internal pressure. The vent plug installed on the top side of the radiator tank is provided to relieve this pressure while protecting the opening from possible entry of dirt or other contamination.

SECTION VI - PREPARATION FOR RESHIPMENT

6-1. GENERAL

6-2. If the occasion arises for the shipping of a Series 8920-400A Wattmeter, the following steps should be taken:

a. Remove the vent plugs and substitute with the special shipping plugs, see Section II - Installation. The vent plugs and shipping plugs are attached to each other by a short length of bead chain. Wrap the vent plugs with padding and tape it to the side of the load for protection. With the shipping plug installed, it is not necessary to empty out the coolant.

b. After disconnecting the wattmeter from the transmission line wrap the connector with padding for its protection.

c. The elements may be left in the sockets of the line section with their arrows turned midway between the measuring positions. Two additional elements can be placed in the storage sockets in the sides of the meter housing. Any additional elements should be well padded and wrapped before being placed in the shipping container.

d. Pad and wrap the dc connector plugs and then coil the cables tightly. For convenience tape them on the back of the meter housing.

e. Cover the meter face with padding to protect the glass window, then wrap the housing and place it in the same container as the wattmeter.

f. Because of the size and weight of the wattmeter it is recommended that the wattmeter be packed and braced in a sturdy wooden crate for shipment.

SECTION VII - STORAGE

7-1. GENERAL

7-2. If it should become necessary to store the wattmeter for any length of time no special preparation is necessary. The vent plug is designed to normally remain closed and therefore no coolant should evaporate during even lengthy storage. The connector, see Section VI - Preparation for Reshipment, should be wrapped and sealed to prevent dirt from entering. It is also suggested that the load housing be covered to prevent the accumulation of dust on the cooling fins. The storage environment should be clean, dry and as dust-free as possible and the ambient temperature should be kept preferably within the -10°C to $+40^{\circ}\text{C}$ ($+14^{\circ}\text{F}$ to $+104^{\circ}\text{F}$) working range of the instrument.

SECTION VIII - REPLACEMENT PARTS LIST

8-1. GENERAL

ITEM	QUANTITY	DESCRIPTION	PART NUMBER
1	1	RF section assembly	
	1	Series 8926-400A	8891-402
	1	Series 8927-400A	8897-402
2	1	O-Ring, resistor housing seal (Also included with item 1)	5-230
3	1	Clamping band assembly (2430-043 & Screw)	2430-055
4	1	O-Ring, breather seal	5-504
5	1	Vent plug assembly	2450-094
6	1	O-Ring, shipping plug	5-504
7	1	Plug, shipping	2450-049
8	1	Thermoswitch assembly, overtemp (includes 9 & 10)	8890-008
9	1	Body, thermoswitch (goes with item 8)	8890-015
10	1	Jack, thermoswitch (goes with item 8 and 17)	2450-018
11		Dielectric liquid, 6.7 gallons (25.3 liter)	5-1070-3
12	1	Radiator, assembly	8921-002
13	1	DC connector assembly	4230-010
14	1	DC connector plug	7500-076
15	1	Meter assembly	2150-230
16	1	Meter housing assembly	6810-241

FIGURE 8-1. SUPPLEMENT ELEMENT TABLE. (SAME AS TABLE 19 IN THE BIRD MASTER CATALOG).

POWER RANGE KILOWATTS	FREQUENCY RANGE			
	54-88 MHz	88-108 MHz	174-216 MHz	470-890 MHz
1.5	461-25	461-26	461-27	461-28
2.5	462-23	461-22	461-21	461-20
5.0	462-23	462-22	462-21	462-20
10.0	463-110	463-111	463-112	463-113
3.0	---	---	---	461-24

FIGURE 8-2. SHIPPING PLUG - Remove and replace with vent plug when load is in operation

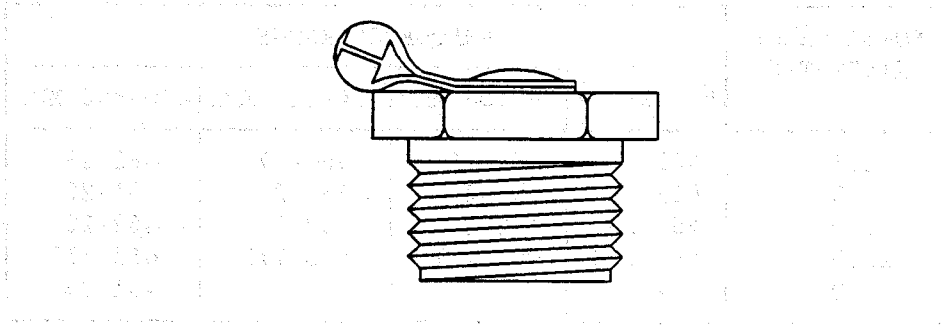
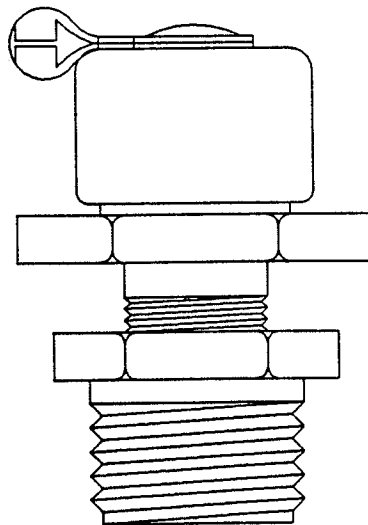
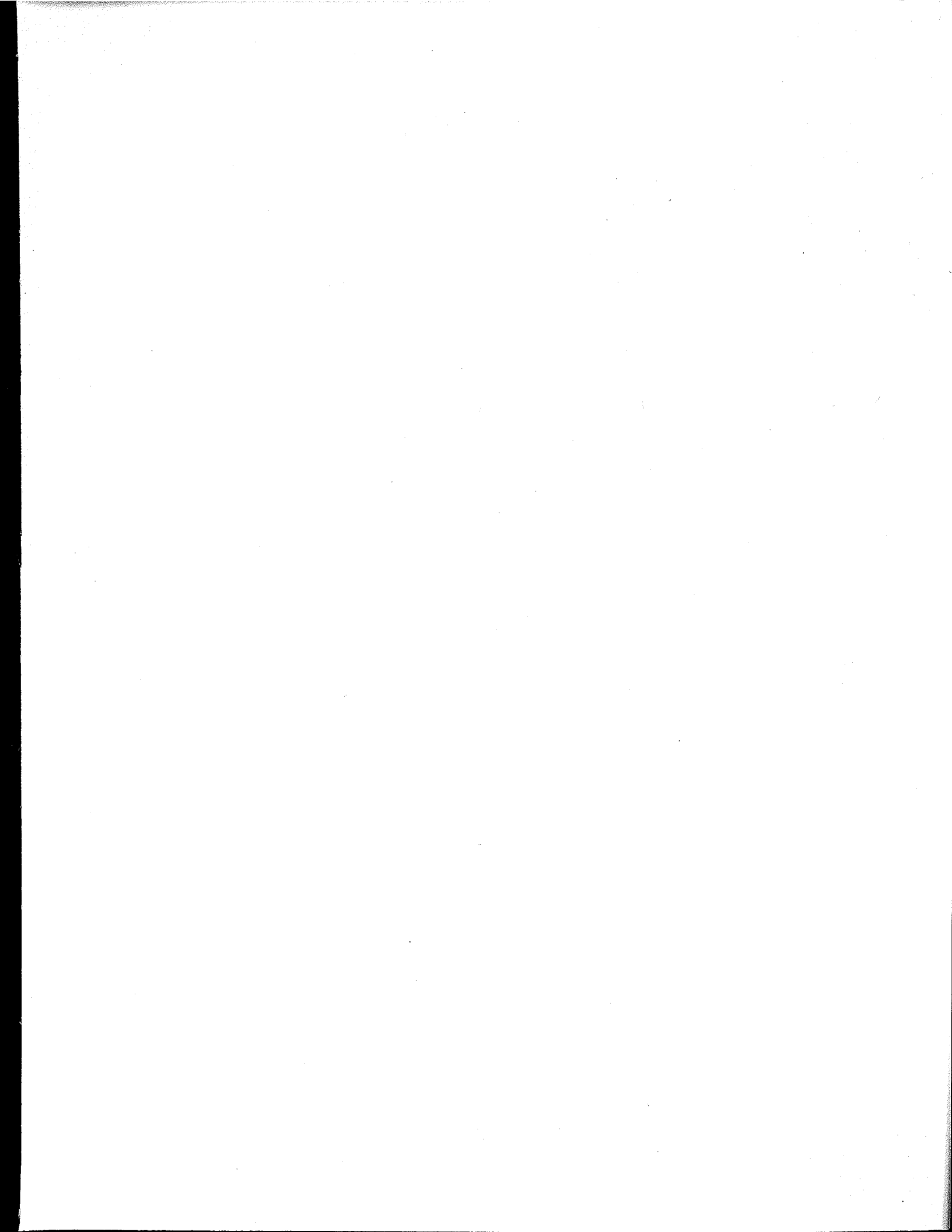


FIGURE 8-3. SHIELDED VENT PLUG ASSEMBLY - Must be installed in place of shipping plug when load is put in operation.





**QUALITY INSTRUMENTS
FOR RF POWER MEASUREMENT**

From 2 to 2300 MHz and from 25 milliwatts
to 250 kilowatts in 50 ohm coaxial line systems.

TERMALINE®

**ABSORPTION
WATTMETERS**

**LOAD RESISTORS
CALORIMETERS**

THRULINE®

**DIRECTIONAL
MONITORING
WATTMETERS**

TENULINE®

ATTENUATORS

COAXWITCH®

**SELECTOR
SWITCHES**

COAXIAL RF FILTERS

SENTRILINE®

FILTER-COUPERS



BIRD

Electronic Corporation

30303 Aurora Road, Cleveland (Solon) 44139-2794